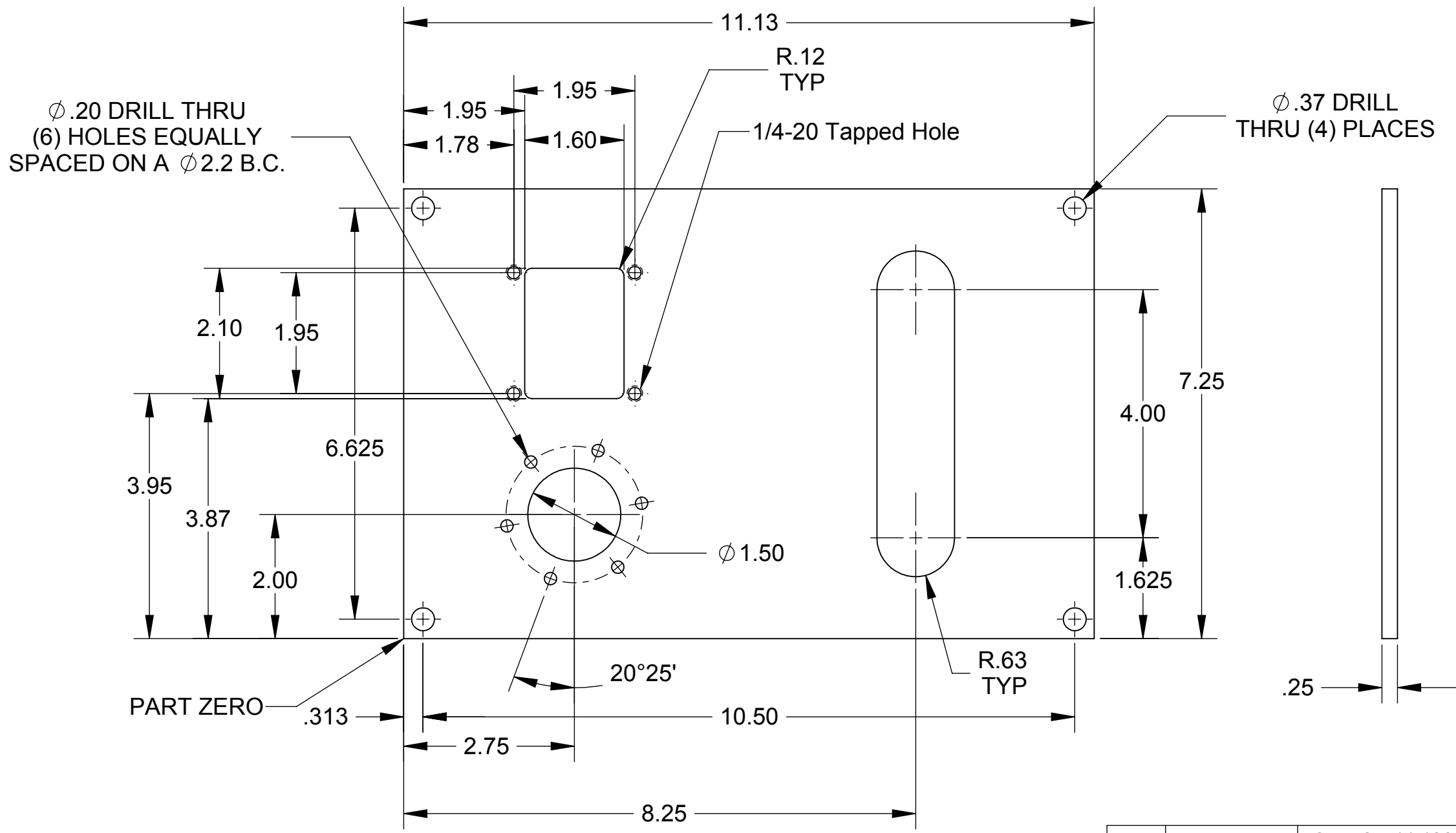


NOTE:
 ALL FEATURES MILL THRU

- TOOL LIST
- 1/8 C'DRILL
 - 3/8 DRILL
 - #7 DRILL
 - 1/4-20 TAP
 - 1/4 END MILL
 - 3/4 END MILL



		.25x7.25x11.126 1018 HRS		
QTY	PART NUMBER	ITEM DESCRIPTION	ITEM	
		PARTS LIST		

REV	E.C.N. NO.	REVISION DESCRIPTION	REV BY	DATE	CHK BY	DATE	APPD BY	DATE
A		ORIGINAL RELEASE						

SURFACE TREATMENT	NONE	EXCEPT AS NOTED: ALL CORNERS MUST BE AS FOLLOWS	EXCEPT AS NOTED: ALL DIMENSIONS IN METRIC TOLERANCE DECIMAL
HEAT TREATMENT	NONE	INSIDE: 1.3 X 45° OR 1.3 R MAX. OUTSIDE: 0.8 X 45° OR 1.3 R	.0 ±0.8 .00 ±0.4 .000 ±0.13 .0000 ±0.013 ANGULAR ±0°30'
FIRST USED ON	APPS	EXCEPT AS NOTED: WELDING TOLERANCE MUST BE AS FOLLOWS	THIRD ANGLE PROJECTION

HURCO®

HURCO COMPANIES, INC. INDIANAPOLIS, IN 46268 U.S.A.

DESCRIPTION
PLATE, GUIDE

DRAWN BMK	DATE 12/16/11	CHECKED	DATE	APPROVED	DATE
SCALE 1:2	SIZE A3	DRAWING INTRO-12		SHT 1	REV. A
UNIT OF MEAS. PC				OF 1	

