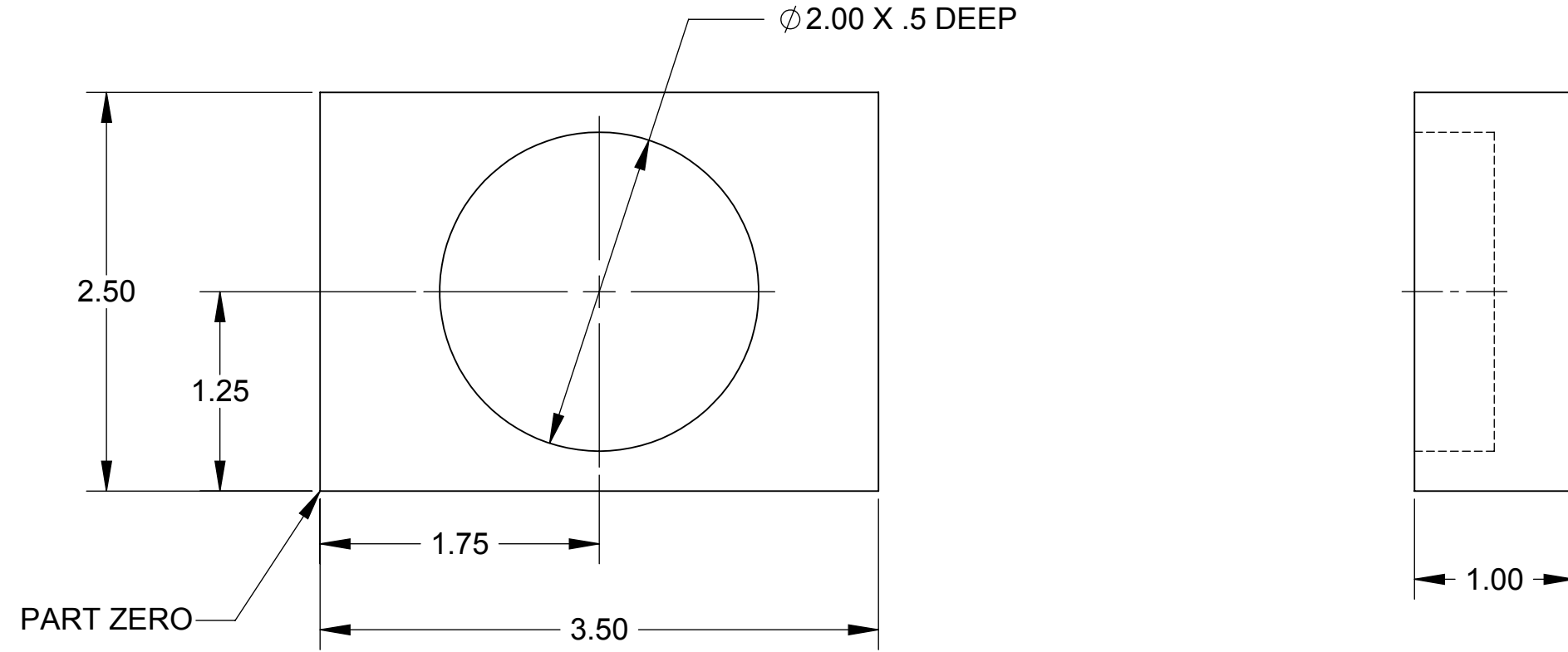


TOOL LIST  
 5/8 CENTER CUT END MILL



.	.	1x2.5x3.5 6061-T651 ALUMINUM	.
QTY	PART NUMBER	ITEM DESCRIPTION	ITEM

										SURFACE TREATMENT			EXCEPT AS NOTED: ALL CORNERS MUST BE AS FOLLOWS			EXCEPT AS NOTED: ALL DIMENSIONS IN METRIC TOLERANCE DECIMAL			<b>HURCO®</b> HURCO COMPANIES, INC. INDIANAPOLIS, IN 46268 U.S.A.											
										HEAT TREATMENT			INSIDE: 1.3 X 45° OR 1.3 R MAX. OUTSIDE: 0.8 X 45° OR 1.3 R			.0 ±0.8 .00 ±0.4 .000 ±0.13 .0000 ±0.013 ANGULAR ±0°30'			DESCRIPTION <b>INTRO-1</b>											
										FIRST USED ON			EXCEPT AS NOTED: WELDING TOLERANCE MUST BE AS FOLLOWS ±3			THIRD ANGLE PROJECTION 			DRAWN <b>BMK</b>		DATE 12/16/11		CHECKED		DATE		APPROVED		DATE	
A	.	ORIGINAL RELEASE								APPS				SCALE 1:1		SIZE <b>B</b>		DRAWING <b>INTRO-1</b>				SHT 1 OF 1	REV. <b>A</b>							
REV	E.C.N. NO.	REVISION DESCRIPTION								REV BY	DATE	CHK BY	DATE	APPD BY	DATE	UNIT OF MEAS. PC														